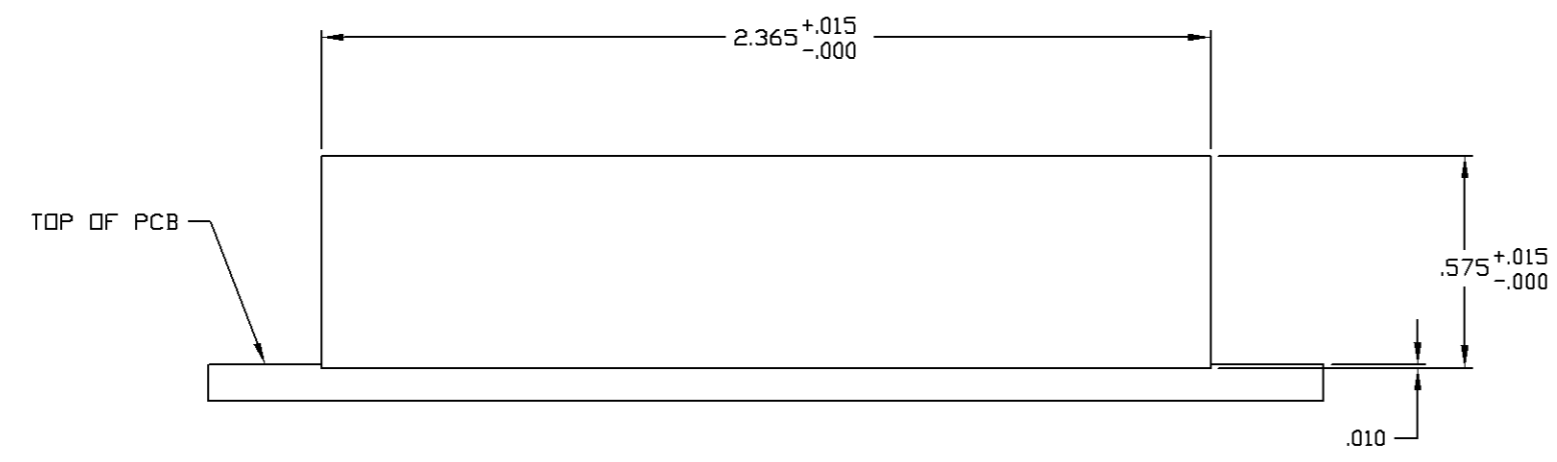
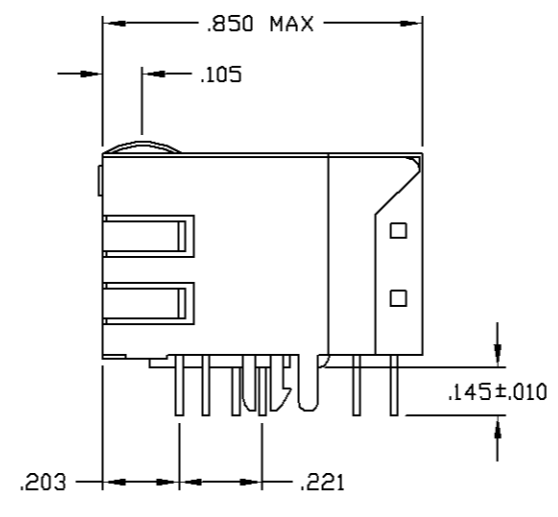
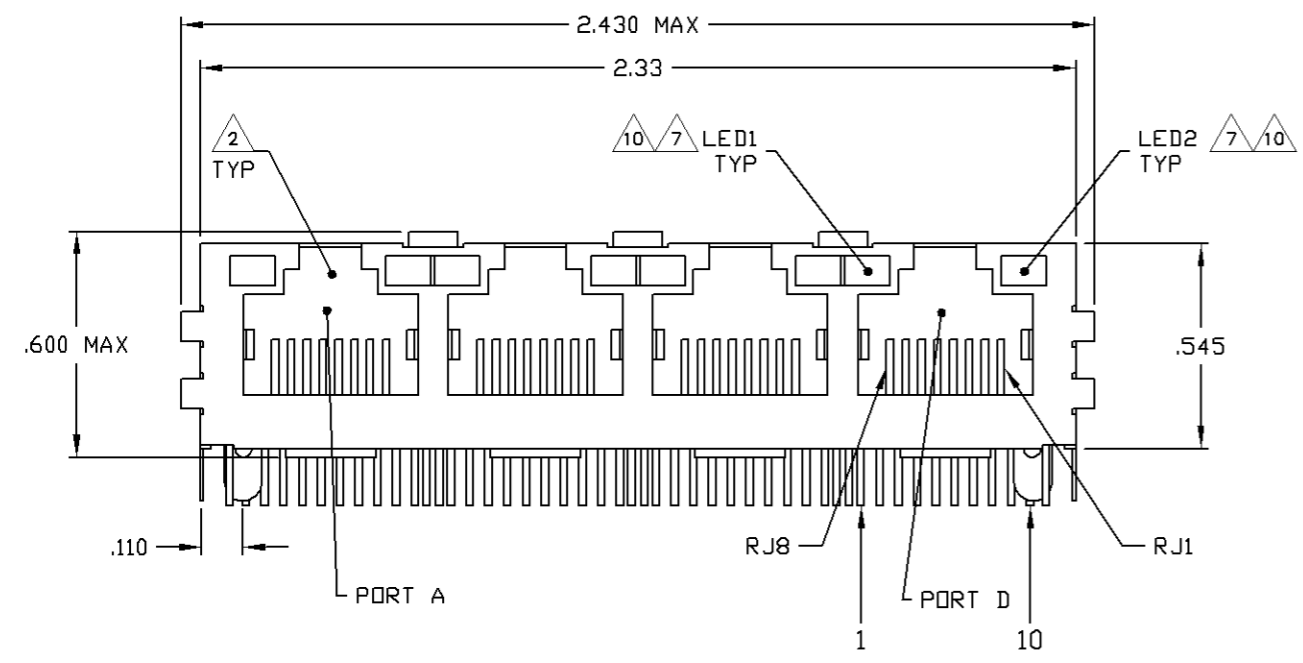
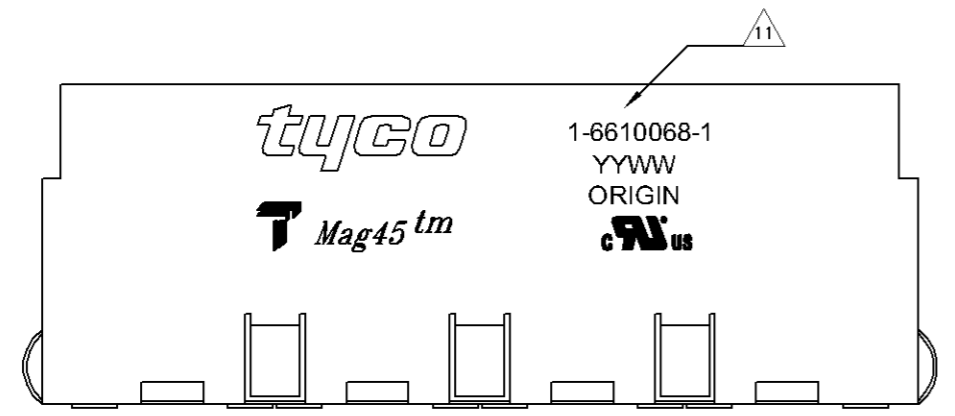


THIS DRAWING IS UNPUBLISHED. RELEASED FOR PUBLICATION BY TYCO ELECTRONICS CORPORATION. ALL RIGHTS RESERVED.

LOC	REV	DESCRIPTION	DATE	BY	APP
AA	22				
F		REV PER ECO-07-013105			

MECHANICAL:



1X4 SUGGESTED PANEL CUTOUT

- 1 MATERIALS:
 - HOUSING - THERMOPLASTIC PET POLYESTER FLAMMABILITY RATING UL 94V-0
 - SHIELD - .010" THICK, C26800 BRASS PREPLATED WITH 30μINCH MIN SEMI-BRIGHT NICKEL. SOLDER TABS POST DIPPED WITH 100μINCH MIN SAC SOLDER.
 - MOD JACK CONTACTS - 0.0157 X 0.018" PHOSPHOR BRONZE, 50μINCH MIN OVERALL NICKEL UNDERPLATE WITH SELECT 50μINCH MIN HARD GOLD FINISH PLATE. SOLDER TAILS WITH 100μINCH MIN MATTE TIN AND/OR SAC SOLDER DIP.
 - LIGHT EMITTING DIODE(LED) - DIFFUSED EPOXY LENS, .020" X .020" CARBON STEEL WIREFRAME LEADS PRE-PLATED WITH 80μINCH SILVER OVER 40μINCH NICKEL UNDERPLATE OVER 40μINCH COPPER UNDERPLATE. POST-PLATED WITH 100μINCH MIN MATTE TIN AND/OR SAC SOLDER DIP OR PURE TIN SOLDER DIP.
- 2 RJ45 JACK CAVITY CONFORMS TO FCC RULES AND REGULATIONS PART 68, SUB PART F.
- 3 MAGNETICS
 - APPLICATION: 10/100/1000 BASE-T
 - IMPEDANCE: 100 OHMS
 - TURNS RATIO (CHIP-CABLE): 1:1 ALL FOUR PAIRS
 - OPEN CIRCUIT INDUCTANCE (OCL): 350nH MIN @100kHz, 0.1VRMS, 8mA DC BIAS FROM 0°C TO 70°C, ALL FOUR PAIRS
 - ALL FOUR PAIRS BI-DIRECTIONAL
 - PERFORMANCE @ 25°C:
 - INSERTION LOSS (IL): 1.1dB MAX FROM 0.5MHz TO 100MHz
 - RETURN LOSS (RL): 18dB MIN FROM 0.5MHz TO 40MHz
 - 12-20LOG(f/80)dB MIN FROM 40.1MHz TO 100MHz
 - CROSSTALK ATTENUATION: 35dB MIN FROM 0.5MHz TO 40MHz
 - 33-20LOG(f/50)dB MIN FROM 40.1MHz TO 100MHz
 - COMMON MODE REJECTION RATIO (CMRR): 30dB MIN FROM 0.5MHz TO 100MHz
 - ISOLATION VOLTAGE: COMPLIES WITH IEEE802.3 2002, PARA 40.6.1.1, ITEM b.
- 4 C1 IS A 1000pF, 2KV DECOUPLING CAPACITOR.
- 5. OPERATING TEMPERATURE FROM 0° - +70°C
- 6 R1-R4 = 75 OHMS, 1/16 W, 5%
- 7 WHEN OPERATED AT 20 mA, THE 250 OHM LED RESISTORS ARE OPTIONAL, PLEASE SEE CHART FOR PRESENCE OR ABSENCE OF LED RESISTORS.
- 8 C2-C5 = 0.1μF, 50V
- 9 INDICATED MAGNETIC CONNECTIONS ARE SYMMETRICAL TO SUPPORT AUTO-MDI/MDIX.
- 10 LED PEAK WAVELENGTH: GREEN(λ) = 565nm
YELLOW(λ) = 585nm
ORANGE(λ) = 610nm
- 11 TRADEMARK, PART NUMBER, DATE CODE, COUNTRY OF ORIGIN AND AGENCY APPROVAL MARKING IN APPROXIMATE LOCATION SHOWN.

NO	GREEN	NO	GREEN/ORANGE	1-6610068-8
NO	GREEN	NO	GREEN	5-6610068-7
NO	GREEN/YELLOW	NO	GREEN	1-6610068-5
YES	GREEN	YES	GREEN	1-6610068-1
NO	GREEN	NO	YELLOW	6610068-8
NO	GREEN/YELLOW	NO	GREEN/YELLOW	6610068-6

THIS DRAWING IS A CONTROLLED DOCUMENT.

DIMENSIONS: UNITS:	TOLERANCES UNLESS OTHERWISE SPECIFIED: 0 PLG = - 1 PLG = - .010 2 PLG = - .015 3 PLG = - .020 4 PLG = - .025 ANGLES: FINISH	DESIGNED BY: D. FAROLE CHECKED BY: D. FAROLE PRODUCT SPEC: 108-2100 APPLICATION SPEC:	Tyco Electronics Corporation Harrisburg, PA 17115-3088 1X4 MAG-SITMI MODULAR JACK, 76A SCHEMATIC 110 PIN HORIZONTAL, 05 SERIES GIGABIT CIRCUIT, SHIELDED, WITH LEADS
-----------------------	-----------------------------------------------------------------------------------------------------------------------------------------------	------------------------------------------------------------------------------------------------	----------------------------------------------------------------------------------------------------------------------------------------------------------------------------------

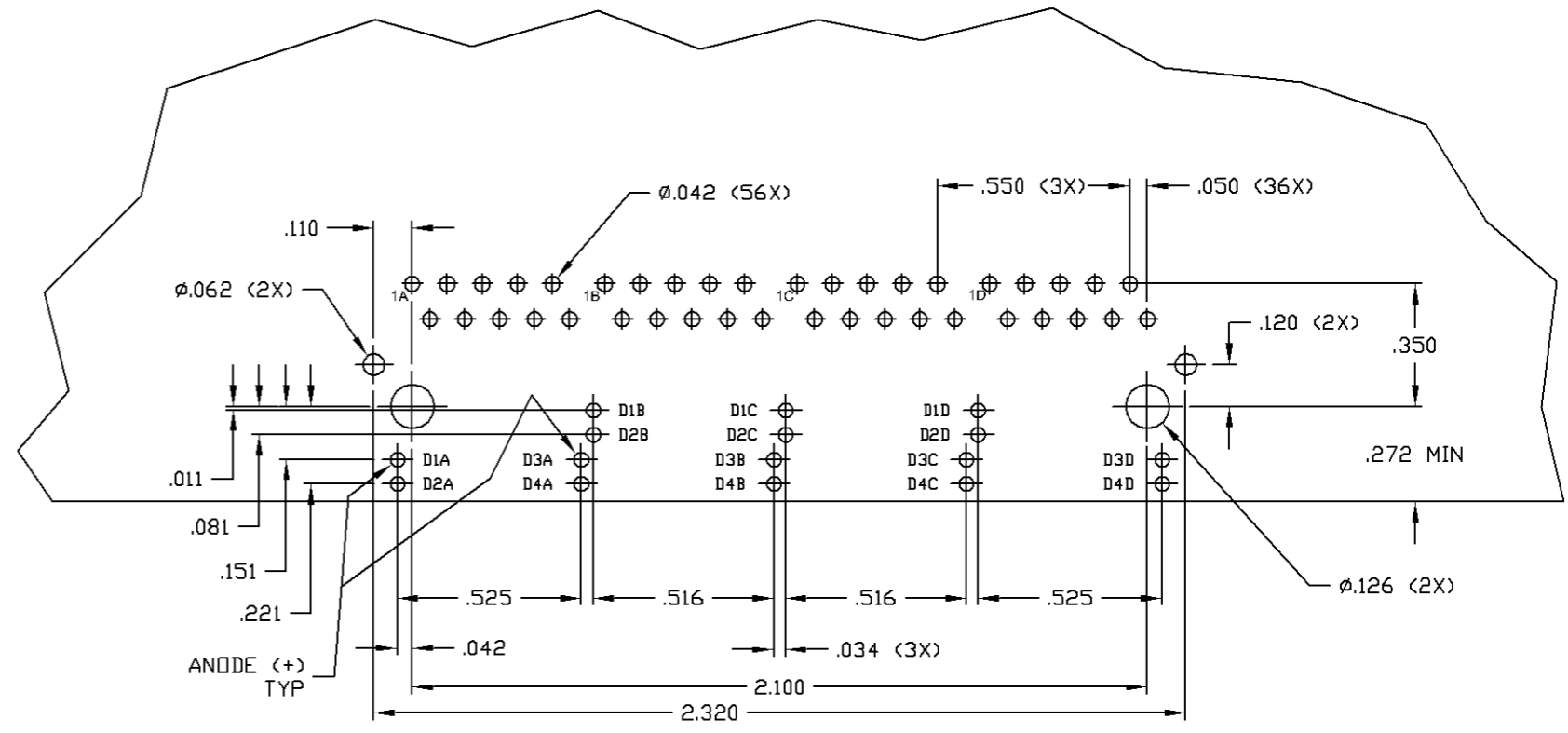
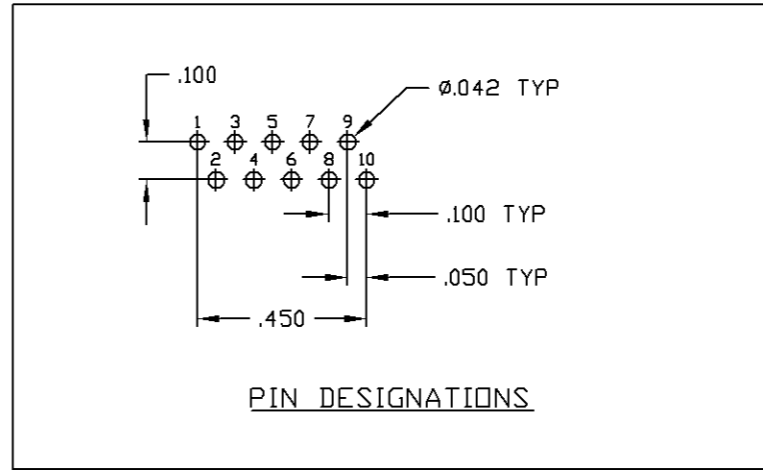
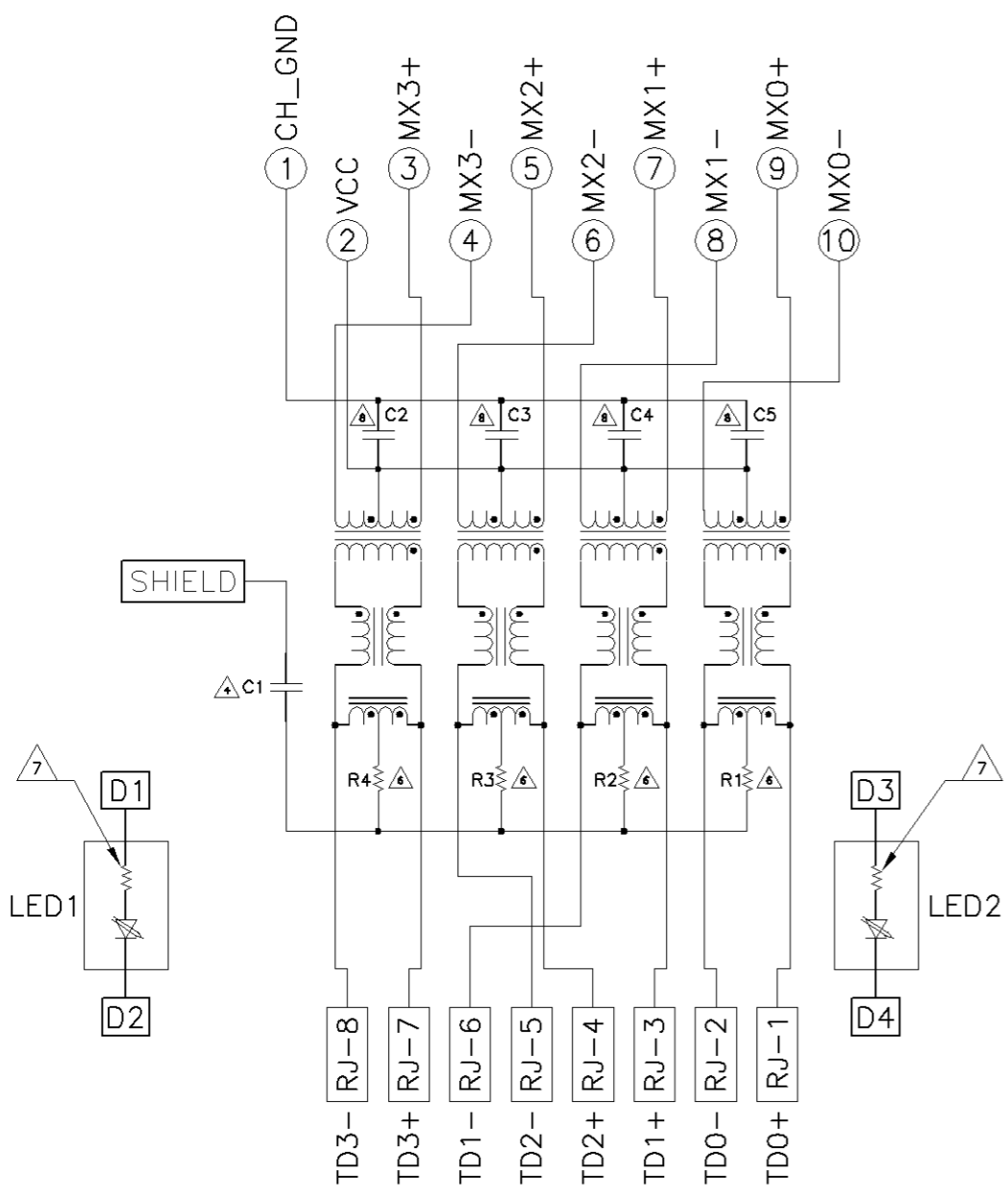
MATERIAL: 1

WGT: A1 00779 6610068

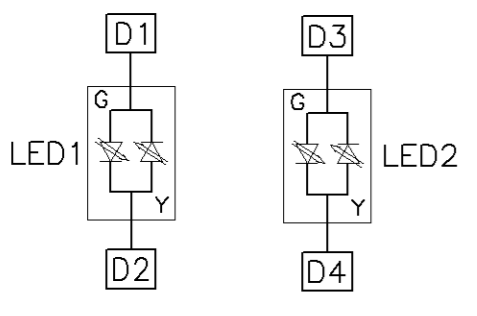
CUSTOMER DRAWING

SCALE: 1:1 SHEET 1 OF 2 REV F

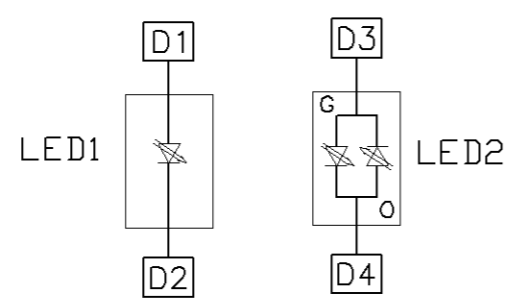
7G05 SERIES GIGABIT CIRCUIT



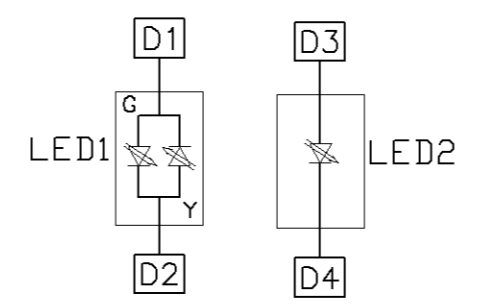
SUGGESTED PCB LAYOUT
(Component Side)



LED CONFIGURATION
FOR 6610068-6 ONLY



LED CONFIGURATION
FOR 1-6610068-8 ONLY



LED CONFIGURATION
FOR 1-6610068-5 ONLY

THIS DRAWING IS A CONTROLLED DOCUMENT.		DR: L. VARELA - DOCKS	DATE: 17JAN2005	BY: Tyco Electronics Corporation
DIMENSIONS: INCHES		CHK: D. FAROLE	DATE: 17JAN2005	LOC: Harrisburg, PA 17105-3608
TOLERANCES UNLESS OTHERWISE SPECIFIED:		APPD: D. FAROLE	NAME: 17JAN2005	
0 P.L.C.	± .005	PRODUCT SPEC:	108-2100	1X4 NAG45(TM) MODULAR JACK,
1 P.L.C.	± .010	APPLICATION SPEC:		7G4 SCHEMATIC (10 PIN HORIZONTAL),
2 P.L.C.	± .020			05 SERIES GIGABIT CIRCUIT, SHIELDED, WITH LEADS
3 P.L.C.	± .050			
4 P.L.C.	± .100			
ANGLES:	± .005			
FINISH:				
MATERIAL:				
CUSTOMER DRAWING		SIZE: A1	CAGE CODE: 00779	DRAWING NO: 6610068
		SCALE: 1:1	SHEET: 2	REV: F